

# MVAA-220 series

MASTER VALVE



## Specification:

Model	MVAA-220-3A1,A2	MVAA-220-4A1,A2, 4A2CPR		
Bore No.	8A			
Port size	PT 1/4			
No. of port	3	5		
Medium	Air			
Operating pressure range	0~8 kgf/cm <sup>2</sup>			
Proof pressure	10 kgf/cm <sup>2</sup>			
Effective orifice	18 mm <sup>2</sup>			
Pilot pressure range	1.5~8 kgf/cm <sup>2</sup>			
Ambient temperature	-5~+60°C (No freezing)			
Weight	122 g	134 g	106 g	134 g 179 g

## Order example:

MVAA - 220M - 4A2C - BSP

MODEL

BODY WIDTH

Blank: body ported type  
M: manifold type

3: 3way  
4: 4way

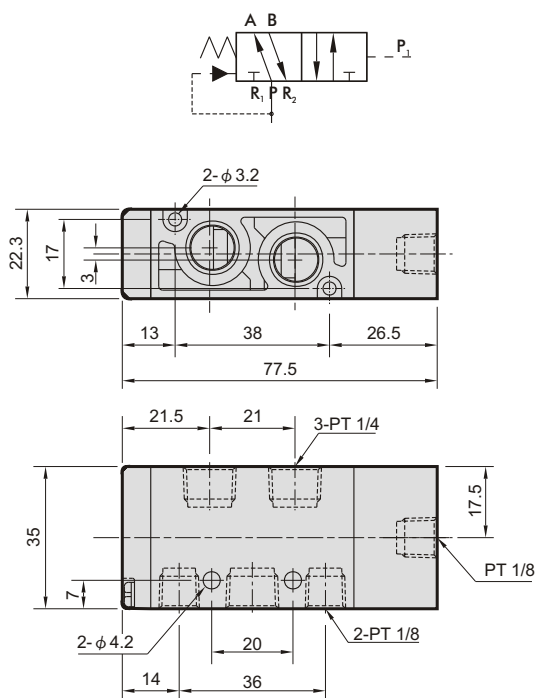
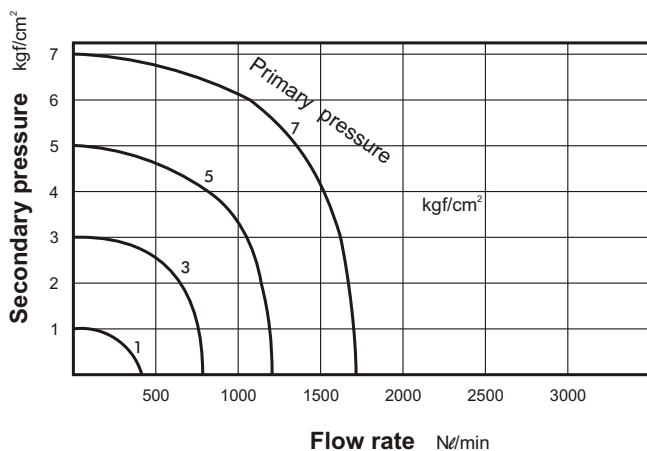
A1: Single air operate  
A2: Double air operate

C: Closed center  
P: Pressure center  
R: Exhaust center

PORT THREAD  
Blank: PT thread  
BSP: BSP thread  
NPT: NPT thread

## MVAA-220-4A1

## Flow features:



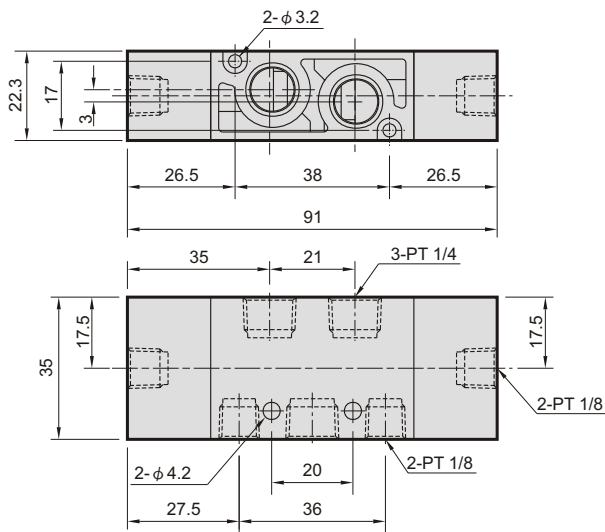
# MVAA-220

MASTER VALVE

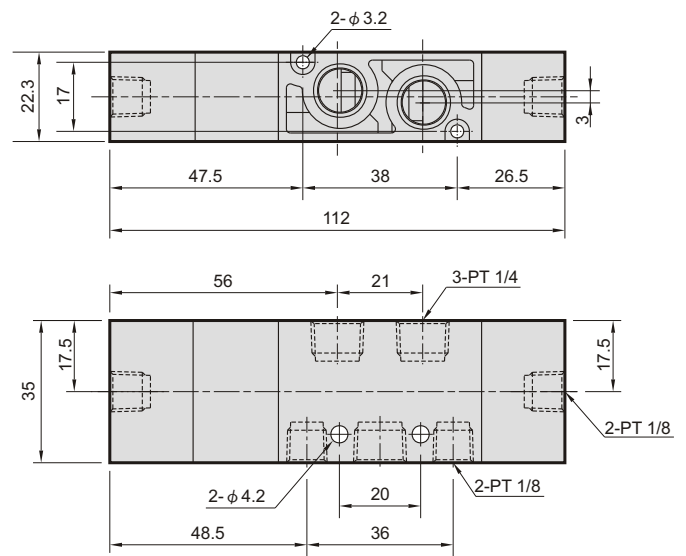
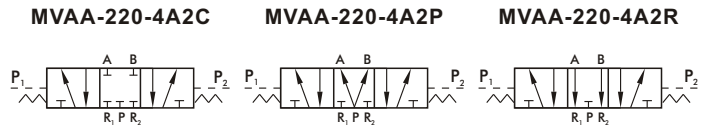


## Dimensions:

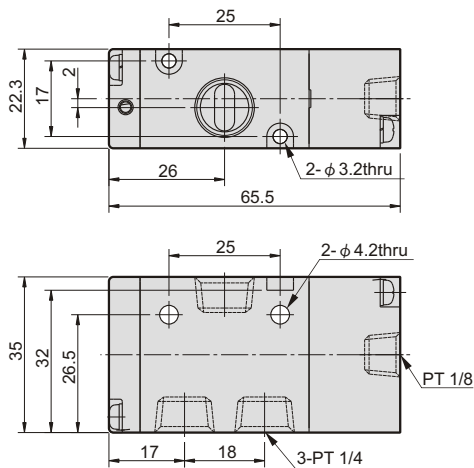
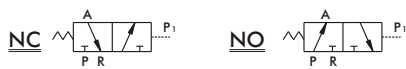
### MVAA-220-4A2



### MVAA-220-4A2C.P.R



### MVAA-220-3A1-NC/NO



### MVAA-220-3A2

